

# WOODS ROTARY MOWER

42C-6

29900

Rev. 3/14/2008

**WOODS**<sup>®</sup>  
Tested. Proven. Unbeatable.

---

OPERATOR'S MANUAL

## TO THE DEALER:

Assembly and proper installation of this product is the responsibility of the Woods® dealer. Read manual instructions and safety rules. Make sure all items on the Dealer's Pre-Delivery and Delivery Check Lists in the Operator's Manual are completed before releasing equipment to the owner.

**The dealer must complete the Product Registration online at the Woods Dealer Website** or complete the mail-in form included with the Operator's Manual. If using the mail-in form, the dealer is to return the prepaid postage portion to Woods, give one copy to the customer, and retain one copy. **Failure to register the product does not diminish customer's warranty rights.**

## TO THE OWNER:

Read this manual before operating your Woods equipment. The information presented will prepare you to do a better and safer job. Keep this manual handy for ready reference. Require all operators to read this manual carefully and become acquainted with all adjustment and operating procedures before attempting to operate. Replacement manuals can be obtained from your dealer. To locate your nearest dealer, check the Dealer Locator at [www.WoodsEquipment.com](http://www.WoodsEquipment.com), or in the United States and Canada call 1-800-319-6637.

The equipment you have purchased has been carefully engineered and manufactured to provide dependable and satisfactory use. Like all mechanical products, it will require cleaning and upkeep. Lubricate the unit as specified. Observe all safety information in this manual and safety decals on the equipment.

For service, your authorized Woods dealer has trained mechanics, genuine Woods service parts, and the necessary tools and equipment to handle all your needs.

Use only genuine Woods service parts. Substitute parts will void the warranty and may not meet standards required for safe and satisfactory operation. Record the model number and serial number of your equipment in the spaces provided:

**Model:** \_\_\_\_\_ **Date of Purchase:** \_\_\_\_\_

**Serial Number: (see Safety Decal section for location)** \_\_\_\_\_

Provide this information to your dealer to obtain correct repair parts.

Throughout this manual, the term **NOTICE** is used to indicate that failure to observe can cause damage to equipment. The terms **CAUTION**, **WARNING**, and **DANGER** are used in conjunction with the Safety-Alert Symbol (a triangle with an exclamation mark) to indicate the degree of hazard for items of personal safety.



This is the safety alert symbol. It is used to alert you to potential personal injury hazards. Obey all safety messages that follow this symbol to avoid possible injury or death.



Indicates a hazardous situation which, if not avoided, will result in death or serious injury.



Indicates a hazardous situation which, if not avoided, could result in death or serious injury.



Indicates a hazardous situation which, if not avoided, could result in minor or moderate injury.

**IMPORTANT**  
or **NOTICE**

Is used to address practices not related to personal injury.

**NOTE**

Indicates helpful information.

**WOODS®**

**ALITEC™**  
**BMP®**  
**CENTRAL FABRICATORS®**  
**GANNON®**  
**GILL®**  
**WAIN-ROY®**  
**WOODS®**

## 2 Introduction

Gen'l (Rev. 2/19/2008)

# TABLE OF CONTENTS


INTRODUCTION . . . . .	2
GENERAL INFORMATION . . . . .	3
SAFETY RULES . . . . .	4
SAFETY DECALS . . . . .	6
OPERATION . . . . .	7
SERVICE . . . . .	8
ASSEMBLY . . . . .	9
DEALER CHECK LISTS . . . . .	15
PARTS LISTS . . . . .	16
BOLT TORQUE CHART . . . . .	25
BOLT SIZE CHART . . . . .	26
PRODUCT WARRANTY . . . . .	INSIDE BACK COVER
REPLACEMENT PARTS WARRANTY . . . . .	BACK COVER

## GENERAL INFORMATION

The purpose of this manual is to assist you in operating and maintaining your mower. Read it carefully. It furnishes information and instructions that will help you achieve years of dependable performance. These instructions have been compiled from extensive field experience and engineering data. Some information may be general in nature due to unknown and varying operating conditions. However, through experience and these instructions, you should be able to develop procedures suitable to your particular situation.


The illustrations and data used in this manual were current at the time of printing but, due to possible inline production changes, your mower may vary slightly in detail. We reserve the right to redesign and change the cutters as may be necessary without notification.

Throughout this manual, references are made to right and left directions. These are determined by standing behind the mower facing the direction of forward travel.



**¡LEA EL INSTRUCTIVO!**

Si no lee Ingles, pida ayuda a alguien que si lo lea para que le traduzca las medidas de seguridad.



**This Operator's Manual should be regarded as part of the machine. Suppliers of both new and second-hand machines must make sure that this manual is provided with the machine.**

# SAFETY RULES



**ATTENTION! BECOME ALERT! YOUR SAFETY IS INVOLVED!**



Safety is a primary concern in the design and manufacture of our products. Unfortunately, our efforts to provide safe equipment can be wiped out by an operator's single careless act.

In addition to the design and configuration of equipment, hazard control and accident prevention are dependent upon the awareness, concern, judgement, and proper training of personnel involved in the operation, transport, maintenance, and storage of equipment.

It has been said, "The best safety device is an informed, careful operator." We ask you to be that kind of operator.

## TRAINING

- **Safety instructions are important! Read all attachment and power unit manuals; follow all safety rules and safety decal information. (Replacement manuals and safety decals are available from your dealer. To locate your nearest dealer, check the Dealer Locator at [www.WoodsEquipment.com](http://www.WoodsEquipment.com), or in the United States and Canada call 1-800-319-6637.) Failure to follow instructions or safety rules can result in serious injury or death.**
- **If you do not understand any part of this manual and need assistance, see your dealer.**
- **Know your controls and how to stop engine and attachment quickly in an emergency.**
- **Operators must be instructed in and be capable of the safe operation of the equipment, its attachments, and all controls. Do not allow anyone to operate this equipment without proper instructions.**
- **Never allow children or untrained persons to operate equipment.**

## PREPARATION

- **Check that all hardware is properly installed. Always tighten to torque chart specifications unless instructed otherwise in this manual.**
- **Always wear relatively tight and belted clothing to avoid getting caught in moving parts. Wear sturdy, rough-soled work shoes and protective equipment for eyes, hair, hands, hearing, and head; and respirator or filter mask where appropriate.**
- **Make sure attachment is properly secured, adjusted, and in good operating condition.**
- **Remove accumulated debris from this equipment, power unit, and engine to avoid fire hazard.**

- **Make sure all safety decals are installed. Replace if damaged. (See Safety Decals section for location.)**

- **Make sure shields and guards are properly installed and in good condition. Replace if damaged.**

- **Inspect and clear area of stones, branches, or other hard objects that might be thrown, causing injury or damage.**

## OPERATION

- **You may not be able to stop the tractor safely if the clutch or brake pedal mechanisms are improperly adjusted, allowing them to contact mower components.**

- **When the mower lift stops are installed as instructed in this manual, properly adjusted clutch and brake pedal mechanisms will not contact mower components. You should frequently check that the tractor clutch and brake pedal mechanisms are in adjustment.**

- **If the clutch or brake pedal mechanisms can contact mower components, do not put mower into service until properly adjusted.**

- **Do not put mower into service unless discharge chute is installed and in good condition. Replace if damaged.**

- **Keep bystanders away from equipment.**

- **Do not operate or transport equipment while under the influence of alcohol or drugs.**

- **Never direct discharge toward people, animals, or property.**

- **Operate only in daylight or good artificial light.**

- **Keep hands, feet, hair, and clothing away from equipment while engine is running. Stay clear of all moving parts.**

- **Always comply with all state and local lighting and marking requirements.**

- **Never allow riders on power unit or attachment.**

- **Always sit in power unit seat when operating controls or starting engine. Place transmission in neutral, engage brake, and ensure all other controls are disengaged before starting power unit engine.**

- **Look down and to the rear and make sure area is clear before operating in reverse.**

- **Do not operate or transport on steep slopes.**



# SAFETY RULES

**ATTENTION! BECOME ALERT! YOUR SAFETY IS INVOLVED!**



- Do not stop, start, or change directions suddenly on slopes.
- Use extreme care and reduce ground speed on slopes and rough terrain.
- Watch for hidden hazards on the terrain during operation.
- Stop power unit and equipment immediately upon striking an obstruction. Turn off engine, remove key, inspect, and repair any damage before resuming operation.

## TRANSPORTATION

- Always comply with all state and local lighting and marking requirements.
- Never allow riders on power unit or attachment.
- Do not operate PTO during transport.
- Watch for hidden hazards on the terrain.
- Do not operate or transport on steep slopes.
- Do not operate auxiliary hydraulics during transport.
- Do not operate or transport equipment while under the influence of alcohol or drugs.

## MAINTENANCE

- Before dismounting power unit or performing any service or maintenance, follow these steps: disengage power to equipment, lower the 3-point hitch and all raised components to the ground, operate valve levers to release any hydraulic pressure, set parking brake, stop engine, remove key, and unfasten seat belt.
- Do not modify or alter or permit anyone else to modify or alter the equipment or any of its components in any way.
- Always wear relatively tight and belted clothing to avoid getting caught in moving parts. Wear sturdy, rough-soled work shoes and protective equipment for eyes, hair, hands, hearing, and head; and respirator or filter mask where appropriate.
- Never go underneath equipment (lowered to the ground or raised) unless it is properly blocked and secured. Never place any part of the body under-

neath equipment or between moveable parts even when the engine has been turned off. Hydraulic system leak down, hydraulic system failures, mechanical failures, or movement of control levers can cause equipment to drop or rotate unexpectedly and cause severe injury or death. Follow Operator's Manual instructions for working underneath and blocking requirements or have work done by a qualified dealer.

- Make sure attachment is properly secured, adjusted, and in good operating condition.
- Keep all persons away from operator control area while performing adjustments, service, or maintenance.
- Make certain all movement of equipment components has stopped before approaching for service.
- Frequently check blades. They should be sharp, free of nicks and cracks, and securely fastened.
- Do not handle blades with bare hands. Careless or improper handling may result in serious injury.
- Your dealer can supply genuine replacement blades. Substitute blades may not meet original equipment specifications and may be dangerous.
- Tighten all bolts, nuts, and screws to torque chart specifications. Check that all cotter pins are installed securely to ensure equipment is in a safe condition before putting unit into service.
- Make sure all safety decals are installed. Replace if damaged. (See Safety Decals section for location.)
- Make sure shields and guards are properly installed and in good condition. Replace if damaged.
- Wear gloves when installing belt. Be careful to prevent fingers from being caught between belt and pulley.

## STORAGE

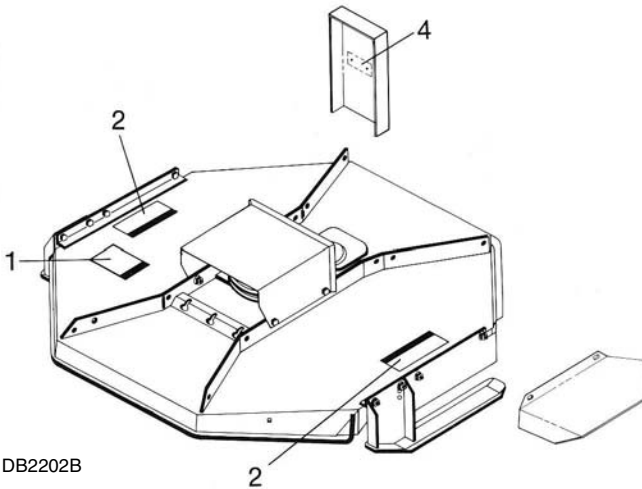
- Block equipment securely for storage.
- Keep children and bystanders away from storage area.



# SAFETY & INSTRUCTIONAL DECALS



**ATTENTION! BECOME ALERT! YOUR SAFETY IS INVOLVED!**  
**Replace Immediately If Damaged!**



## 4 - SERIAL NUMBER PLATE



2 - 53425

1 - 25505

**WARNING**

**TO AVOID SERIOUS INJURY OR DEATH,**

- Read Operator's Manual and follow all safety precautions. (Contact dealer for manuals.)
- Keep shields and guards in place. Keep clear of drives and belts.
- Lower implement, stop engine and remove key before dismounting.
- Block up implement and remove key before working underneath.
- Do not operate mower in vicinity of other persons. Never allow riders.
- Know how to stop tractor and equipment quickly in an emergency.
- Clear mowing area of debris.
- Never allow children or unqualified persons to operate equipment.
- Be careful on uneven terrain. Decrease speed when turning.
- Do not operate in transport position.

25505-G

**DANGER**

**ROTATING BLADES AND THROWN OBJECTS**

- Do not put hands or feet under or into mower when engine is running.
- Before mowing, clear area of objects that may be thrown by blade.
- Keep bystanders away.
- Keep discharge chute and guards in place and in good condition.

BLADE CONTACT OR THROWN OBJECTS CAN CAUSE SERIOUS INJURY OR DEATH.

53425-B

### BE CAREFUL!

Use a clean, damp cloth to clean safety decals.

Avoid spraying too close to decals when using a pressure washer; high-pressure water can enter through very small scratches or under edges of decals causing them to peel or come off.

Replacement safety decals can be ordered free from your Woods dealer. To locate your nearest dealer, check the Dealer Locator at [www.WoodsEquipment.com](http://www.WoodsEquipment.com), or in the United States and Canada call 1-800-319-6637.

# OPERATION

## **WARNING**

- Do not allow children or unqualified persons to operate equipment.
- Keep bystanders away from equipment while it is in operation.

## **CAUTION**

- Stop mower and tractor immediately upon striking an obstruction. Turn off engine, remove key, inspect and repair any damage before resuming operation.
- Always wear relatively tight and belted clothing to avoid entanglement in moving parts. Wear sturdy, rough-soled work shoes and protective equipment for eyes, hands, hearing and head.

### **TRACTOR OPERATING INSTRUCTION**

Operate tractor at full governed RPM. If forward speed is too high, a lower tractor gear can be used.

### **ATTITUDE ADJUSTMENT**

Attitude can be adjusted by selecting the proper hole when connecting the channel arms to the mounting frame.

### ***NOTICE***

- The mower should be carried on tractor lift mechanism at all times; SKIDS should only lift mower when it encounters bumps or unevenness. However, skids should be adjusted so they are carried close to the ground.

### **MOWING GRASS**

When mowing grass, adjust machine so that it is level.

### **CUTTING WEEDS**

When shredding high weeds, it may be desirable to make two trips over the area - the first one with the machine adjusted in a higher position.

### **SHREDDING STALKS**

When shredding stalks adjust attitude of machine so that front end is high.



# SERVICE

## LUBRICATION

Grease blade spindle shaft every 24 hours of operation until some grease is forced out around top of shaft. This is necessary to ensure that enough grease has been forced in to reach top bearing of spindle. V-belt idlers have sealed ball bearings and do not need lubrication.

## V-BELT

Belt should be adjusted so it is tight enough to hold power of tractor when mowing. When belt replacement is necessary, use only the belt recommended by your Woods dealer. These belts are of special construction for shock loading and severe use. Idler pulleys must be kept in proper alignment so that V-belt will run smoothly.

## MAIN SPINDLE ASSEMBLY

The spindle assembly is equipped with two tapered roller bearings. Proper adjustment is maintained by a sleeve welded on the shaft. These bearings are not intended to be adjusted during their useful life.

## BLADE SERVICING

### Removal

Loosen locking bolt, rotate blade retainer and drive blade pin up out of crossbar and blade. Slide blade out of crossbar. Always sharpen or replace blades in pairs to maintain proper balance. Use genuine Woods blades for replacement. They are made of special steel alloy and are subjected to rigid heat-treat and inspection requirements. Substitute blades may not meet these rigid specifications and could be dangerous.

### Installation

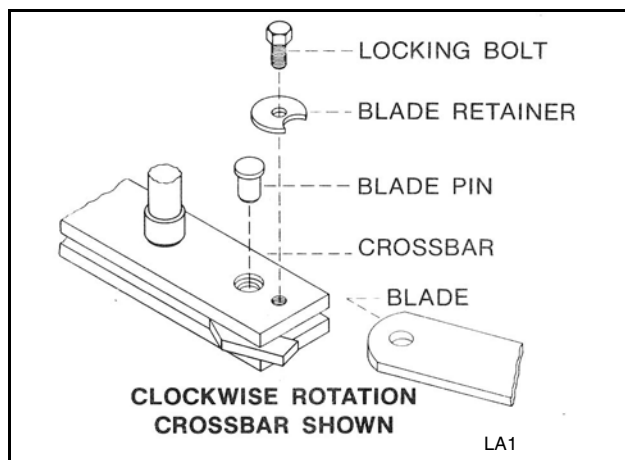


Figure 1. Clockwise Rotation Crossbar

**NOTE:** On 42-6 mowers, all crossbars rotate in a clockwise rotation except models L42AC/B & C-6 C L42A-6. Ensure you order correct replacement blades and install them correctly for your machine. Insert blade into crossbar; ensure cutting edge points in direction of crossbar rotation. Install blade pin into crossbar through blade; rotate blade retainer over blade and tighten locking bolt.

## LUBRICATION OF OVERRUNNING CLUTCH

Oil only occasionally and just enough to keep a film of oil on internal parts. Excess oil will prevent ratchet teeth from fully engaging, resulting in premature failure.

## CLEANING

### After Each Use

- Remove large debris such as clumps of dirt, grass, crop residue, etc. from machine.
- Inspect machine and replace worn or damaged parts.
- Replace any safety decals that are missing or not readable.

### Periodically or Before Extended Storage

- Clean large debris such as clumps of dirt, grass, crop residue, etc. from machine.
- Remove the remainder using a low-pressure water spray.
  1. Be careful when spraying near scratched or torn safety decals or near edges of decals as water spray can peel decal off surface.
  2. Be careful when spraying near chipped or scratched paint as water spray can lift paint.
  3. If a pressure washer is used, follow the advice of the pressure washer manufacturer.
- Inspect machine and replace worn or damaged parts.
- Sand down scratches and the edges of areas of missing paint and coat with Woods spray paint of matching color (purchase from your Woods dealer).
- Replace any safety decals that are missing or not readable (supplied free by your Woods dealer). See Safety Decals section for location drawing.



# ASSEMBLY

## WARNING

- Keep all persons away from operator control area while performing adjustments, service or maintenance.

## CAUTION

- Always wear relatively tight and belted clothing to avoid entanglement in moving parts. Wear sturdy, rough-soled work shoes and protective equipment for eyes, hands, hearing and head.

### SPINDLE INSTALLATION

Insert spindle assembly (11) up through bottom of mower frame (1). Be sure to index grease zerk toward mower front for ease of lubrication. Secure spindle to frame with four 1/2 x 1-3/4" bolts (26), 1/2" lock washers (27) and nuts (28). Torque to 85 lbs-ft.

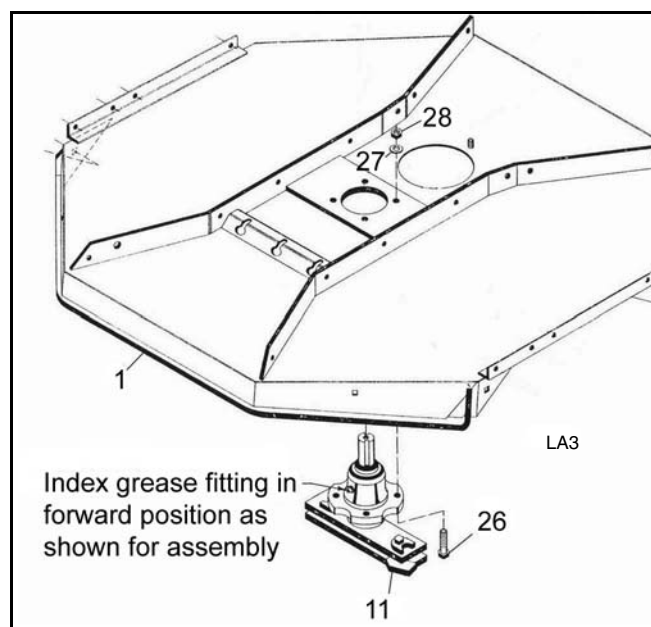


Figure 2. Spindle Installation

### BLADE INSTALLATION

Remove bolt (12) and apply an anti-seize lubricant to threads and reinstall.

Rotate blade retainer washer (10) off of blade pin (11) and remove blade pin.

Install blades (14) with cutting edge toward closed side of crossbar. Check that the words "this side down" are

on the bottom side of the blade when installed. Insert blade pin (11) through blades, rotate blade pin retainer washer (10) over pin, tighten bolt (12) snugly. Do not over tighten; do not follow torque chart recommendations.

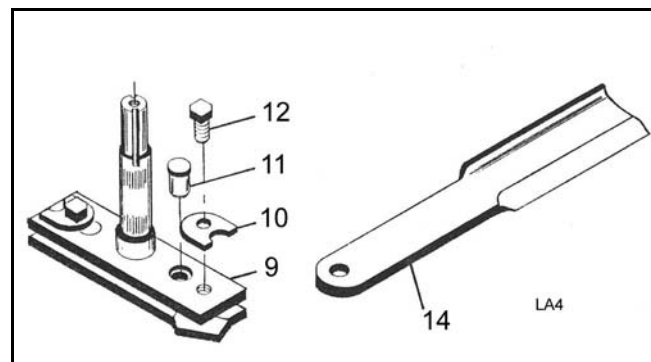


Figure 3. Blade Installation

### FRONT CORNER Baffle INSTALLATION

Attach front corner baffle (2) to right front corner of mower frame with 3/8 x 3/4" carriage bolt (20) and lock nuts (25).

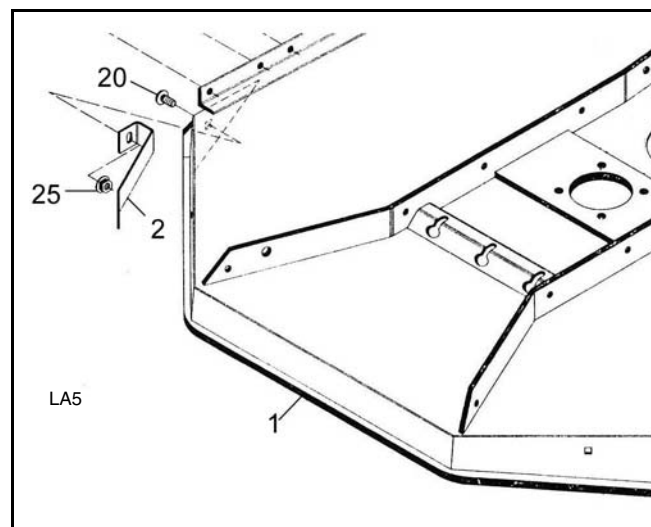


Figure 4. Front Corner Baffle Installation

### SIDE SKID INSTALLATION

With cutting height set, adjust side skids to within 1/2" of ground. Never operate mower with weight on side skids. Properly adjusted side skids are designed to carry mower over uneven ground and minimize scalping.

Attach side skids (10) to mower frame with 3/8 x 1" bolts (21), lock washers (23) and nuts (24).

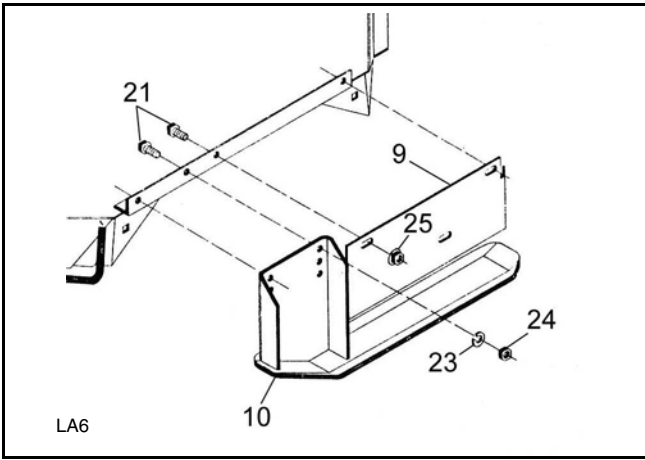


Figure 5. Side Skid and Side Shield

### **SIDE SHIELD OR DISCHARGE CHUTE INSTALLATION**

A side shield and discharge chute are provided for right side of mower. The side shield should be used for normal operating conditions. The discharge chute may be used to replace side shield for very heavy mowing conditions.

#### **⚠ DANGER**

■ Do not operate mower unless either discharge chute or side shield is installed.

#### **⚠ CAUTION**

■ Keep hands and feet away from mower while tractor engine is running. Stay clear of all moving parts.

#### **Left Side Shield Installation**

Attach side shield (9) to mower with 3/8 x 1" bolts (21) and 3/8" flanged lock nuts (24). Insert bolts from inside out. See Figure 5.

#### **Right Side Shield and Baffle Installation**

Attach rear of side shield baffle (5) to mower, and front portion to right side shield (4) with 3/8 x 3/4" carriage bolts (20) and lock nuts (25), inserted from inside out.

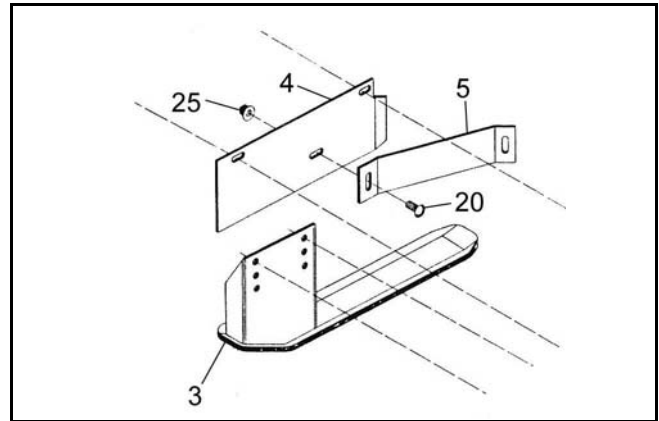


Figure 6. Side Shield & Baffle Installation

### **Discharge Chute Installation**

Remove side shield (4). Attach discharge chute (13) to mower frame with 3/8 x 1" bolts (20) and 3/8" flanged lock nuts (25).

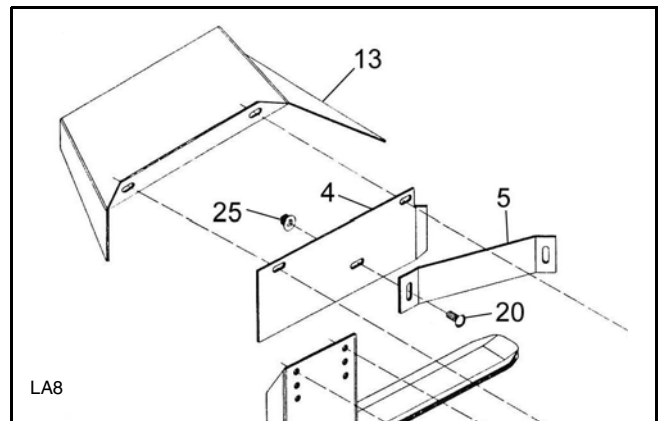


Figure 7. Discharge Chute Installation

### **OVER-RUNNING CLUTCH INSTALLATION**

See page 20. Install the two keys (13) in spindle shaft and place over-running clutch pulley unit on spindle shaft with bolted flange on top. Make sure it lines up with keys in shaft. Place three washers on top of spindle shaft (16), install weather cap (15), and secure with 3/8 x 1-1/2" bolt (14) and lock washer (4).

### **CLUTCH BELT SHIELD INSTALLATION**

See page 16. Install drive belt on pulley, then install drive shield (6) to mower frame with 3/8 x 1" bolts (21), 3/8" lock washers (23) and nuts (24).

#### **NOTICE**

■ This shield is not used when mower is installed on IH Low Boy tractors because of minimum clearance under tractor.

## **MOUNTING FRAME ASSEMBLY**

### **Push Channel / Push Channel Mounting Angles and Lift Bars**

Loosely assemble the following (see page 18):

Attach right push channel mounting angle (53) to right rear deck rail and rear mower deck with 1/2" x 1-1/2" carriage bolts (83) and flange lock nuts (91). Attach left push channel mounting angle (57) to left rear deck and rear of mower in same manner.

Insert 1/2" x 1-3/4" bolts (85) through hole in deck rails immediately behind belt shield. Install slotted hole in push channel arm (54) on bolt. Install lift arm (40) on bolt and fasten with lock washer (88) and nut (89). Attach push channel arm (54) to channel arm mounting angle (53) with 1/2" x 1-1/2" carriage bolts (83) and flange lock nuts (91). Mounting angles (53 & 57) have an upper and lower slot for a cutting height of 1" to 2". Use lower slot when a higher cutting height is desired.

**NOTE:** Earlier models do not have lower slots. Should you need to raise cutting height, drill a 9/16" diameter hole 3/4" below the upper slot.

Should belt stretch or pulley wear cause the belt to become too long, re-tension by moving mower forward and using front hole in push channel arms as an attachment point.

Leave push channel arms loosely assembled until mower is mounted to tractor.

### **Belt Guide**

Clamp belt guide (55) to left channel arm using clamp plate (56) and 3/8" x 2-1/2" hex head cap screws (78), lock washers (79) and nuts (80). After belt has been installed, adjust guide fore and aft in the channel so the belt runs about through the center of the guide.

### **Idler Bracket**

Adjust tractor drawbar to center hole of its adjustment and slide idler bracket (46) into place. Clamp idler bracket to tractor drawbar plates with two clamp plates (45) and four 1/2" x 2" bolts (86), lock washers (88) and nuts (89). If for some reason, the tractor drawbar mounting plates have been removed from the tractor, they must be reinstalled in order to clamp the idler bracket to them.

### **Idlers to Idler Bracket**

Install 5/8" x 3-1/2" carriage bolt (94) in through the right side of the vertical slots on idler bracket (46). Place three 5/8" flat washers (9) over carriage bolt on left side of slots. Install idlers (47) over bolt and secure

with 5/8" flat washer (95), lock washer (96) and nut (97).

### **Mower Frame to Idler Bracket**

Slide mower frame under tractor. Adjust front axle out to provide clearance of mower when turning. See Figure 10. Attach push channel arms (54) to idler bracket (46) with 5/8" x 1-1/2" clevis pins (92) and secure with safety pins (75). Tighten all push channel arm and mounting bracket hardware installed in Push Channel / Push Channel Mounting Angles and Lift Bars.

### **Drive Pulley**

Remove paint from hub of drive sheave (48). Install bushing (49) and slide assembly onto tractor PTO shaft, set in from end of shaft approximately 1/2". Loosen both idlers, place belt over drive sheave (48) and two idlers (47). Press idlers down to tighten belt. Then tighten nuts, keeping both idlers in about the same relative position. Sight down over drive sheave and align drive sheave with idlers by moving it in or out of the PTO shaft. Then alternately tighten bushing bolts evenly to 12 lbs-ft torque, alternating back and forth at least six times. On IH Cub, adjust belt tension with mower raised to 4" cutting height.

### **Lift Arms**

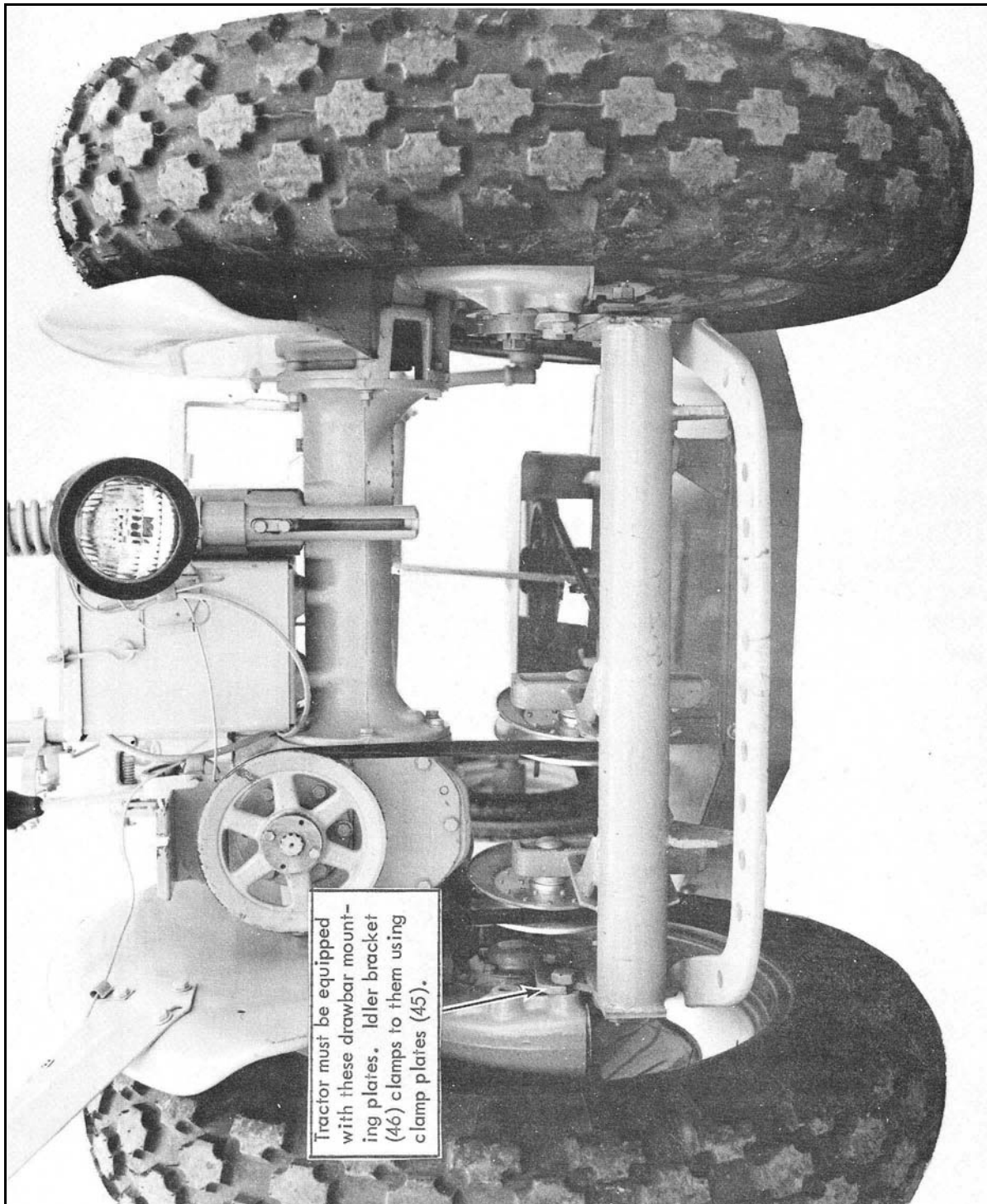
Attach upper lift arm (42) to hydraulic lift arm on right side of tractor with two 5/8 x 1-3/4" bolts (93), lock washers (96) and nuts (97). Offset of arm (42) should be toward the outside of tractor. Assemble center lift arm (43) to upper lift arm (42) using 5/8 x 1-3/4" bolt (93), 5/8 x 1 x 7/16" sleeve (44), flat washer (95) and deformed thread nut (97).

Assemble lower lift arm (41) to center lift arm (43) with 1/2 x 1-1/2" bolt (84) and deformed thread nut (90). Do not tighten this bolt too tight as arms (41 & 42) need to pivot freely on this bolt.

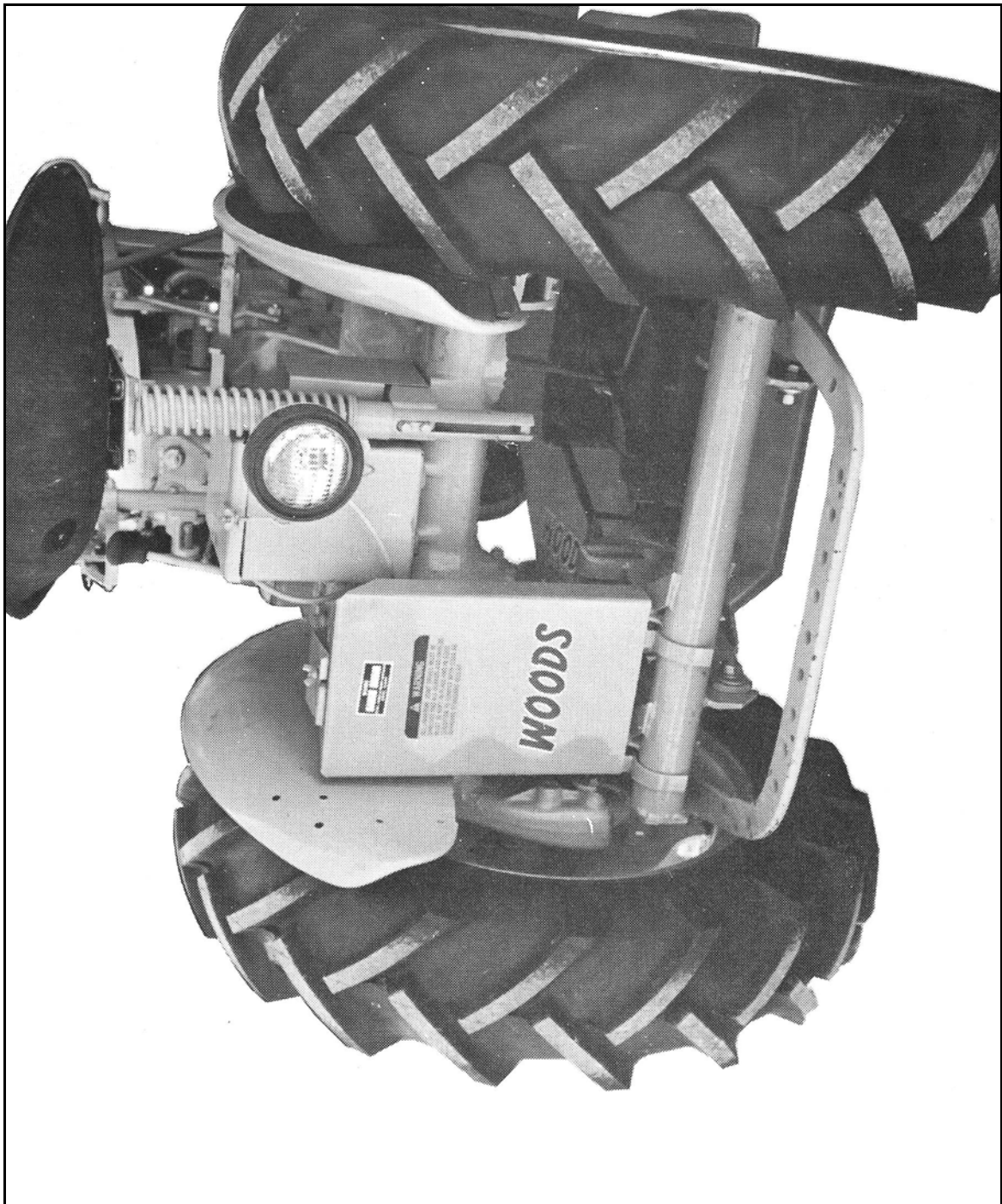
Attach lower end of lift arm (41) to lift bars (40) using 1/2 x 2" clevis pin (87) and 3/16 x 1" cotter pin (76). Adjust stops on lift control lever so mower does not hit bottom of tractor or tractor tires when fully raised. For tractors not equipped with hydraulics see page 22 for manual lift.

### **V-Belt Shield**

Bolt V-belt shield attachment plate (50) to tractor plow bracket holes with two 1/2 x 1" bolts (82) and lock washers (88). Attach V-belt shield (51) to attachment plate (50) with 3/8" wing nut (81).



**Figure 8.** Mounting Frame Assembly Photo



**Figure 9.** Mounting Frame Assembly Photo with Rear Shield



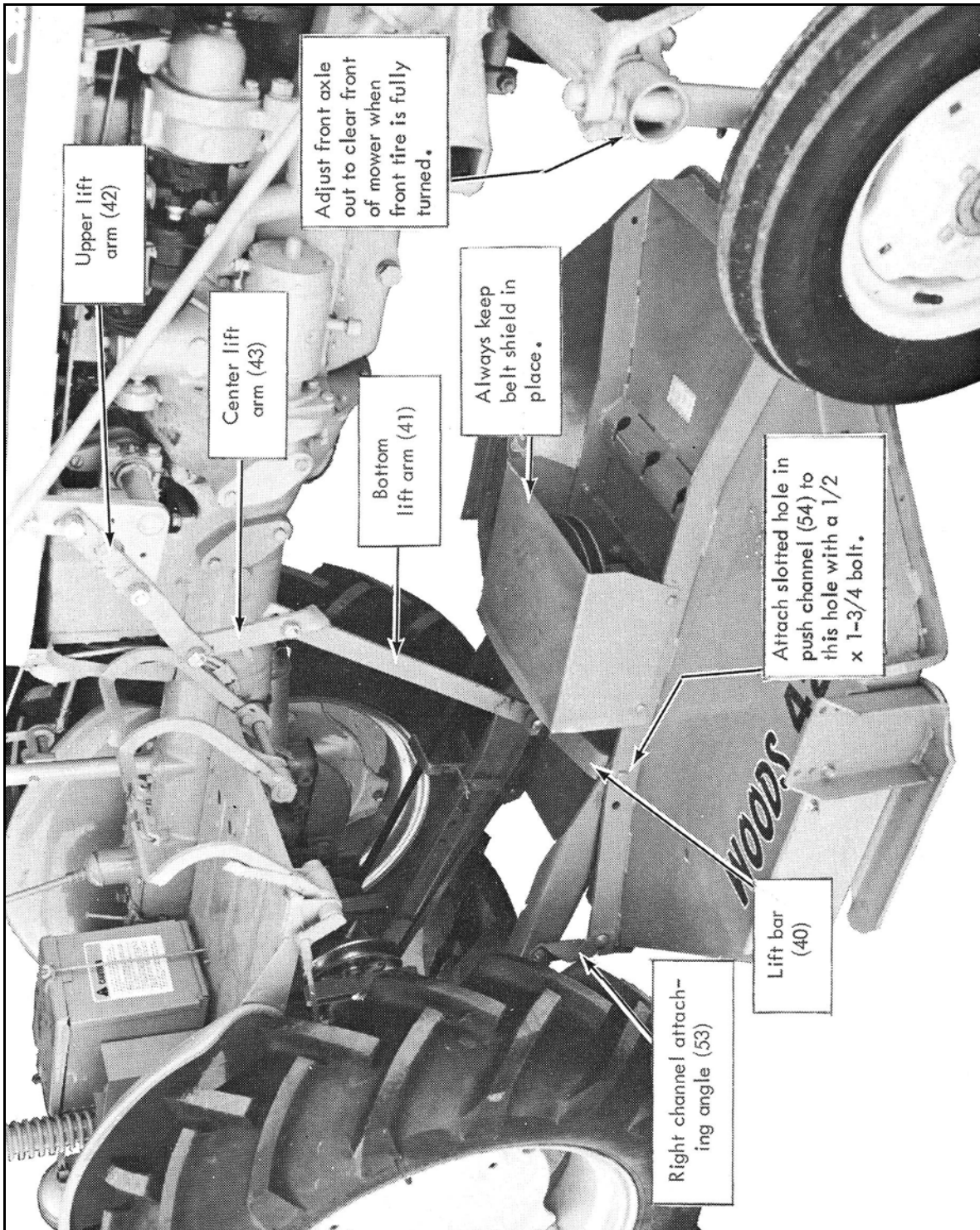


Figure 10. Lift Assembly Photo

# DEALER CHECK LISTS

## **PRE-DELIVERY CHECK LIST**

(DEALER'S RESPONSIBILITY)

Inspect the equipment thoroughly after assembly to ensure it is set up properly before delivering it to the customer.

The following check lists are a reminder of points to inspect. Check off each item as it is found satisfactory or after proper adjustment is made.

- \_\_\_ Check that all safety decals are installed and in good condition. Replace if damaged.
- \_\_\_ Check that shields and guards are properly installed and in good condition. Replace if damaged.
- \_\_\_ Properly attach implement to tractor and make all necessary adjustments.
- \_\_\_ Check all bolts to be sure they are tight.
- \_\_\_ Check and grease all lubrication points as identified in "Service".
- \_\_\_ Check that blades have been properly installed.

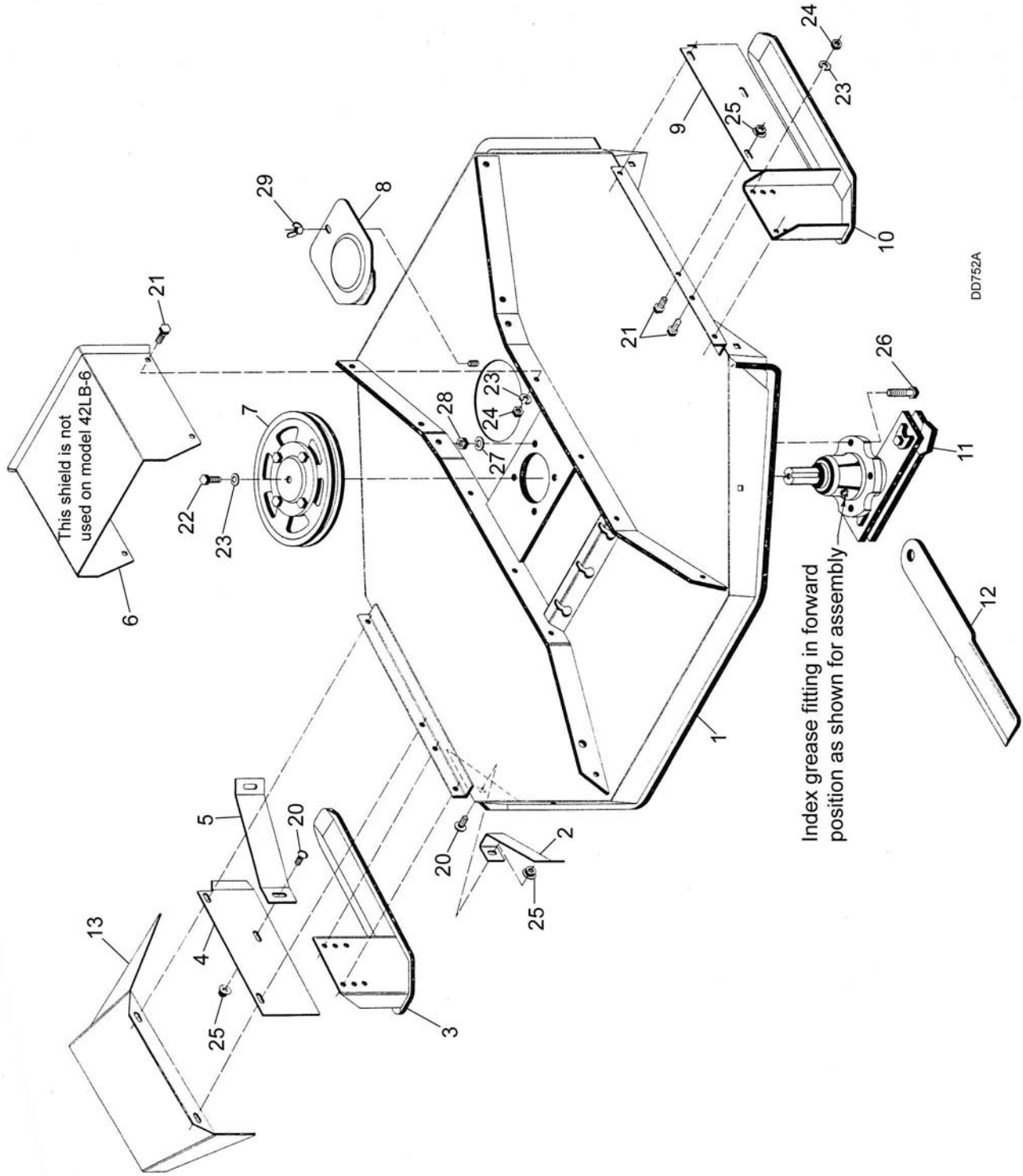
## **DELIVERY CHECK**

(DEALER'S RESPONSIBILITY)

- \_\_\_ Instruct customer how to lubricate and explain importance of lubrication.
- \_\_\_ Point out the safety decals. Explain their meaning and the need to keep them in place and in good condition. Emphasize the increased safety hazards when instructions are not followed.
- \_\_\_ Present Operator's Manual and request that customer and all operators read it before operating equipment. Point out the manual safety rules, explain their meanings and emphasize the increased safety hazards that exist when safety rules are not followed.
- \_\_\_ Show customer the safe, proper procedures to be used when mounting, dismounting, and storing equipment.
- \_\_\_ Point out all guards and shields. Explain their importance and the safety hazards that exist when not kept in place and in good condition.



# 42-6 CW MAIN FRAME ASSEMBLY



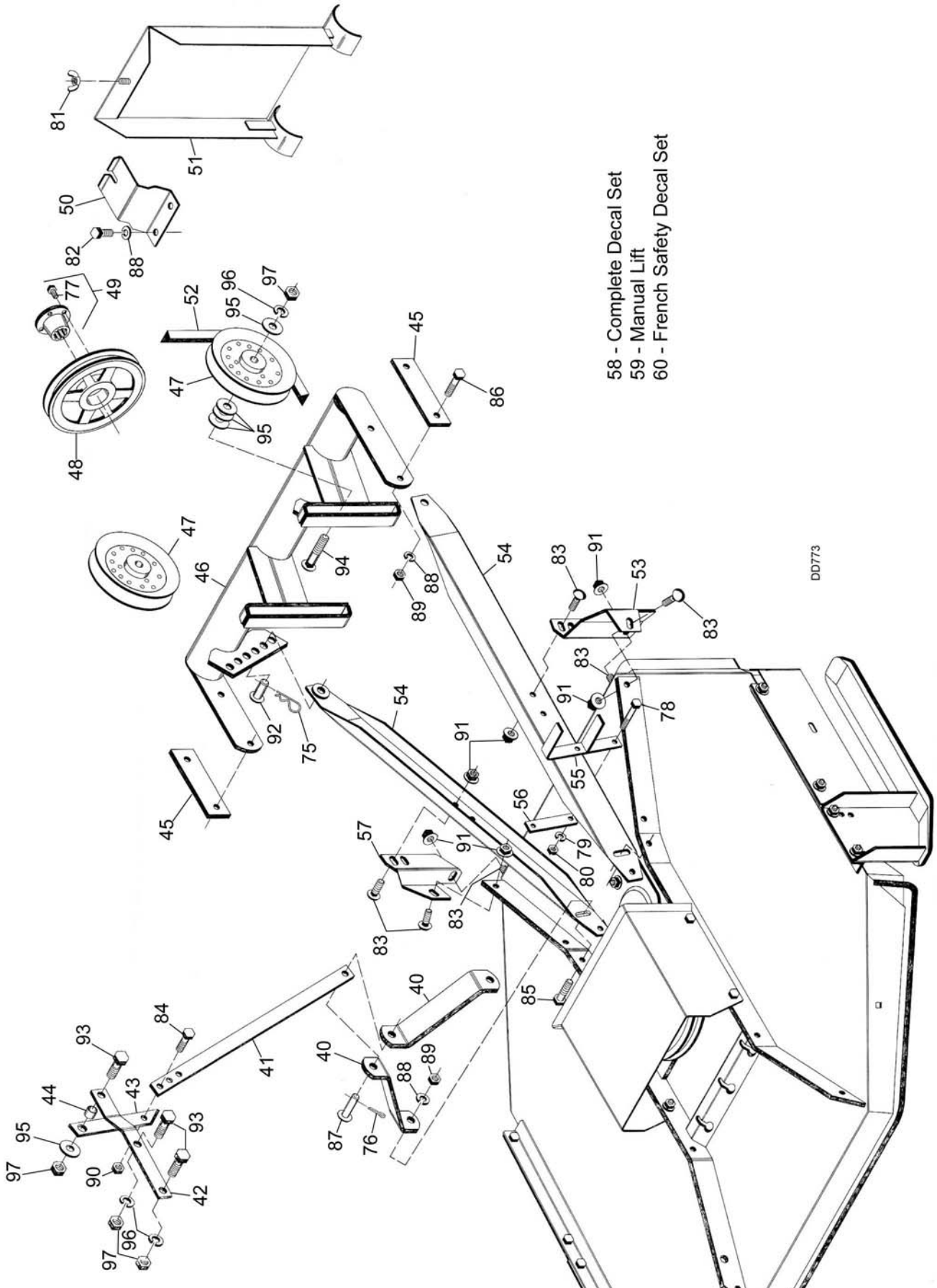
**16 Parts**

29900 (Rev. 7/6/2007)

## 42-6 CW MAIN FRAME ASSEMBLY

REF	PART	QTY	DESCRIPTION	REF	PART	QTY	DESCRIPTION
1	9874	1	Frame				<b>HARDWARE</b>
2	26403	1	Front corner baffle	20	24597 *		3/8 NC x 3/4 Carriage bolt
3	4141	1	Right side skid	21	839 *		3/8 NC x 1 HHCS GR5
4	26396	1	Right side shield	22	976 *		3/8 NC x 1-1/2 HHCS GR5
5	26402	1	Side shield baffle	23	838 *		3/8 Lock washer
6	27663	1	Blade spindle belt shield	24	835 *		3/8 NC Hex nut, plated
7	-----	1	Overrunning clutch (see page 20)	25	14350		3/8 NC Flanged lock nut
8	3444	1	Access hole cover	26	24576 *		1/2 NC x 1-3/4 HHCS GR5
9	26397	1	Left side shield	27	855 *		1/2 Lock washer ZP
10	4142	1	Left side skid	28	1093 *		1/2 NC Hex nut, plated
11	-----	1	CW Blade spindle (see page 24)	29	1287 *		3/8 NC Wing nut
12	3975KT	1	CW Blade kit				
13	31878	1	Side discharge chute				* Standard hardware, obtain locally

# 42C-6 MOUNTING FRAME ASSEMBLY DRAWING



**18 Parts**

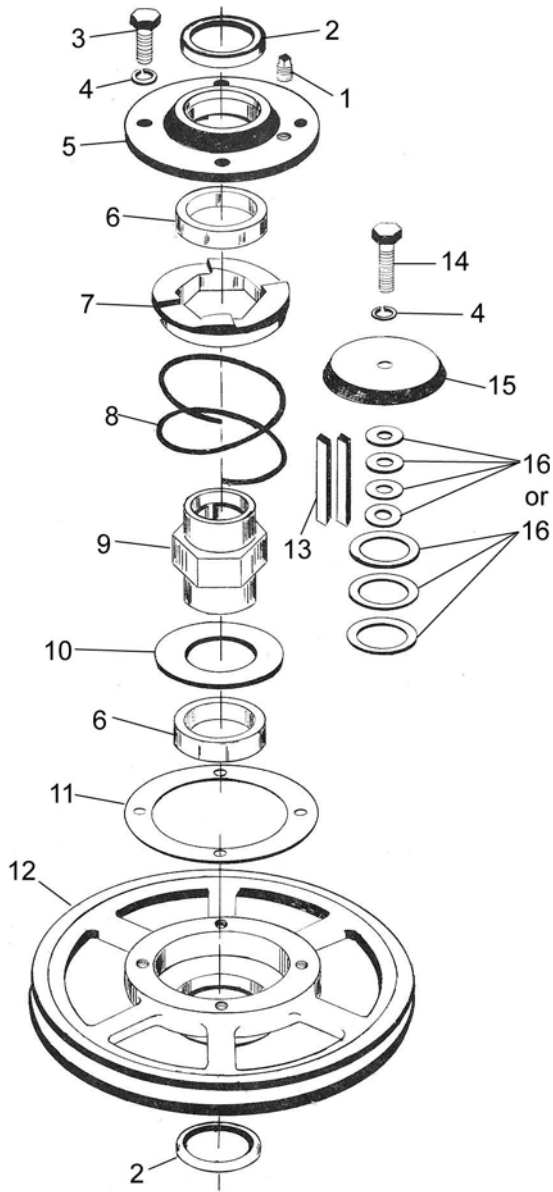
29900 (Rev. 7/6/2007)

## 42C-6 MOUNTING FRAME ASSEMBLY

REF	PART	QTY	DESCRIPTION	REF	PART	QTY	DESCRIPTION
40	27657	2	Lift bar				<b>HARDWARE</b>
41	1533	1	Bottom lift arm	75	2688 *		5/32 Hair cotter pin
42	1441	1	Upper lift arm	76	1256 *		3/16 x 1 Cotter pin
43	1500	1	Center lift arm	77	2457 *		1/4 NC x 3/4 HHCS GR5
44	484	1	5/8 x 1 x 7/16 Heat-treated sleeve	78	2290 *		3/8 NC x 2-1/2 HHCS GR5
45	1513	2	Idler bracket clamp plate	79	838 *		3/8 Lock washer ZP
46	1491	1	Idler pipe	80	835 *		3/8 NC Hex nut, plated
47	4072	2	7-5/16 OD Idler sheave	81	1287 *		3/8 NC Wing nut
48	1505	1	1 BK 7.4H Drive sheave	82	25475 *		1/2 NC x 1 HHCS GR5 full thread
49	1506	1	.978, 10 Spline H bushing with bolts	83	29893 *		1/2 NC x 1-1/2 Carriage bolt, GR5
50	1489	1	V-Belt shield attachment plate	84	3379 *		1/2 NC x 1-1/2 HHCS GR5
51	1473	1	V-Belt shield	85	24576 *		1/2 NC x 1-3/4 HHCS GR5
52	27652	1	V-Belt special (W117)	86	3699 *		1/2 NC x 2 HHCS GR5
53	27658	1	Right channel mounting angle	87	409		1/2 x 2 Clevis pin
54	27660	2	Push channel assembly	88	855 *		1/2 Lock washer ZP
55	2296	1	Belt guide frame	89	1093 *		1/2 NC Hex nut, plated
56	2292	1	Belt guide clamp plate	90	765 *		1/2 NC Lock nut ZP
57	27659	1	Left channel mounting angle	91	11900 *		1/2 NC Flanged hex lock nut
58	4788	1	Complete decal set	92	4097		5/8 x 1-1/2 Clevis pin
59	----	1	Manual lift (see page 22)	93	4548 *		5/8 NC x 1-3/4 HHCS, HT
60	52310	1	French safety decal set	94	5655 *		5/8 NC x 3-1/2 Carriage bolt, HT
				95	692 *		5/8 Flat washer
				96	1286 *		5/8 Heavy lock washer
				97	230 *		5/8 NC Hex nut, plated

\* Standard hardware, obtain locally

## OVERRUNNING CLUTCHES



REF	PART	QTY	DESCRIPTION
1	----- *	1	1/8 Pipe plug (used on earlier models)
2	3174	2	Oil seal
3	839 *	4	3/8 NC x 1 HHCS GR5
4	838 *	5	3/8 Lock washer ZP
5	3333	1	Ratchet cap (includes 2 & 6 installed)
6	3175	2	1-3/4 x 2-1/4 x 1/2 Bushing
7	3171	1	Ratchet with hex hole
8	3176	1	Compression spring
9	3177	1	Drive hex
10	3178	1	1-3/4 x 3-3/8 x 18 GA Shim
11	6935	1	.070 x 3-1/2 x 5 Gasket
12	3332	1	Special 9.4 sheave (includes 2 & 6 installed)
13	3912	2	Key, 1/4 x 3/8 x 2
14	12169 *	1	3/8 NC x 1-1/4 HHCS GR5
15	3172	1	Weather cap
16	1536	3	1-1/4 x 1-3/4 Shim <b>-or-</b>
16	565 *	4	3/8 Flat washer

\* Standard hardware, obtain locally

**IMPORTANT NOTE:** After installing clutch, rotate it backwards to see that it ratchets freely. If it does not, add another washer (16) under cap (15) & rotate clutch again.

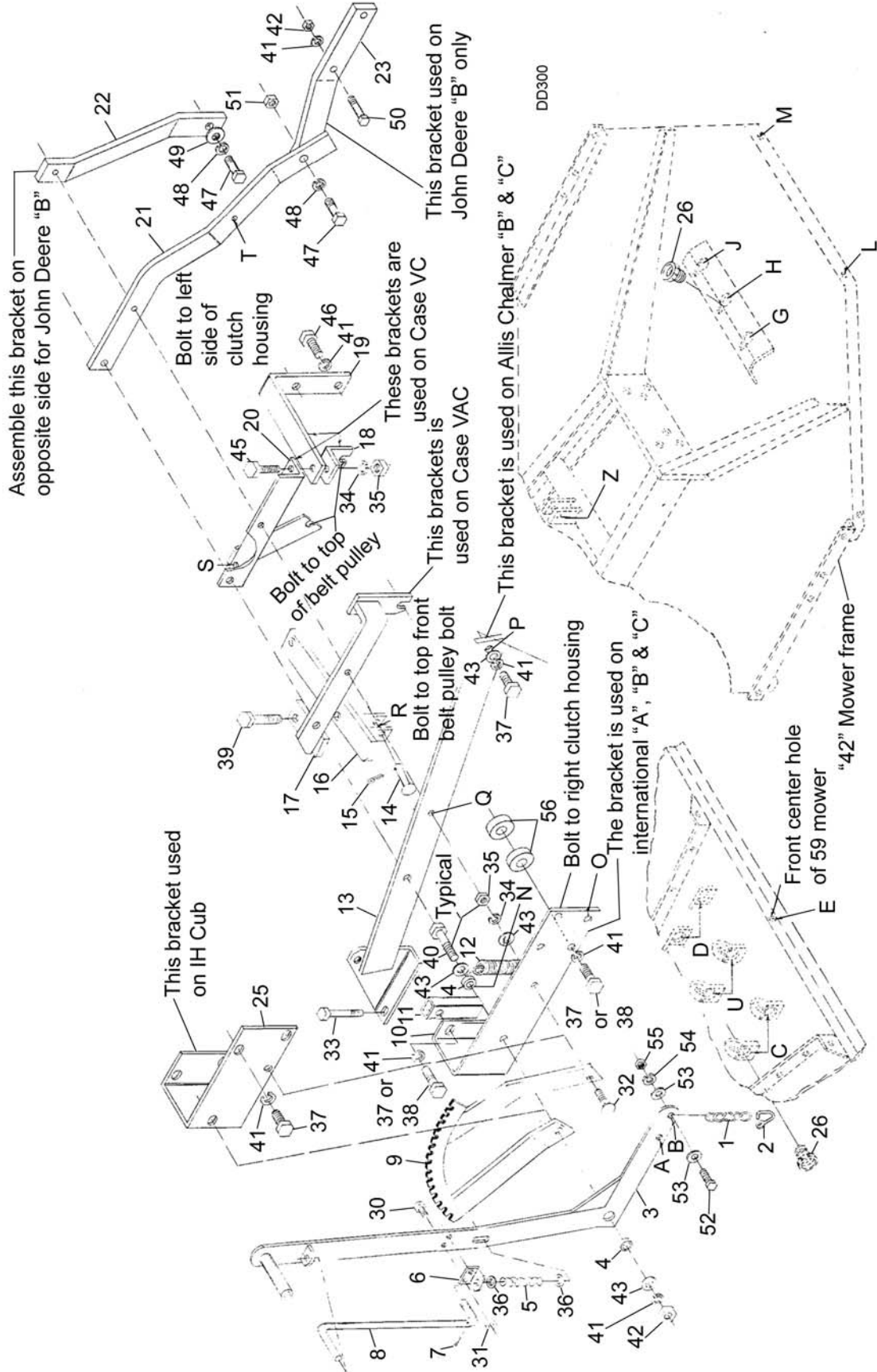
## Lift Chain Hook-Up Table

Mower Model Number	Chains Used			Lift Chain Attach Pt		Holes Used for Spring		Special Notes
	Part No	No Used	Description	To Lift Lever Hole	To Holes in Mower	Upper End to Hole Lettered:	Lower End to Hole Lettered:	
42A, HB	4154	1	33 Link Chain	B	H&G	O	See note 4	(10)
L42AC, B&C	4154	1	33 Link Chain	B	G	P	H	(5)
42C	4154	1	33 Link Chain	B	L&M	See note (8)	Z	(8)
L42U	17477	1	84" Twisted cut off excess	B	H	T	H	
L42VAC	6673	1	78" Twisted	B	H	R	J	
L42VC	4154	1	33 Link Chain	B	G	S	J	
L59A, 59HB, & L306A	4154 18264	1 1	33 Link Chain 13 Link Chain	A or B Opt	E E	N N	C&D C&D	(1, 3, 8, 10) (1, 3, 8, 10)
59HC	18264	3	13 Link Chain	A or B Opt	E	N	C&D	(1, 3, 8, 9)
L59AC, B&C	4154	1	33 Link Chain	A	C&D	Q	E	(5)
L306AC, B&C	18264	1	13 Link Chain	A	C&D	Q	E	(5)
59C	4154	2	33 Link Chain	A	C&D	See note (8)	See note (1,3)	(8)
L59U, L306U	17477 18264	1 1	84" Twisted 13 Link Chain	B B	C&D C&D	T T	See note (3) See note (3)	(1) (7)
L59VAC, L306VAC	17477	1	84" Twisted	B B	E U	R R	E E	(7)
L59VC, L306VC	4154 18264	1 1	33 Link Chain 13 Link Chain	B B	E U	S S	C&D C&D	(1, 3, 8) (7)

### Special Notes (Refer to numbers in parentheses in above table)

1. Hook one 13-link chain between holes "C" & "D".
2. Fasten one 10-link and one 7-link chain together.
3. Hook lower end of spring in crotch chain.
4. Hook spring into chain just above hole "H".
5. Clamp offset end spring under flat washer on out-of-way side of bracket, where indicated.
6. Fasten two 10-link chains together for lift chain.
7. On L306 models, use heavy spring furnished with mower rather than lighter spring furnished with manual lift kit. Hook to a point on tractor so most of mower weight is held by spring which will allow lift to work easier.
8. Hook upper end of spring over bushing (4). Bolt lift chain to lift lever with 3/8 x 2 bolt and nut.
9. Bolt two 13-link chains together for lift chain.
10. On IH "A" lift lever (3) goes inside steering rod. On IH "B" it goes outside steering rod. For IH "B" shim attachment plate (10) out away from tractor using spacer (11), four washers (56) and bolts (38). Lift lever may have to be bent out slightly to clear steering rod.

# Manual Height Adjustment

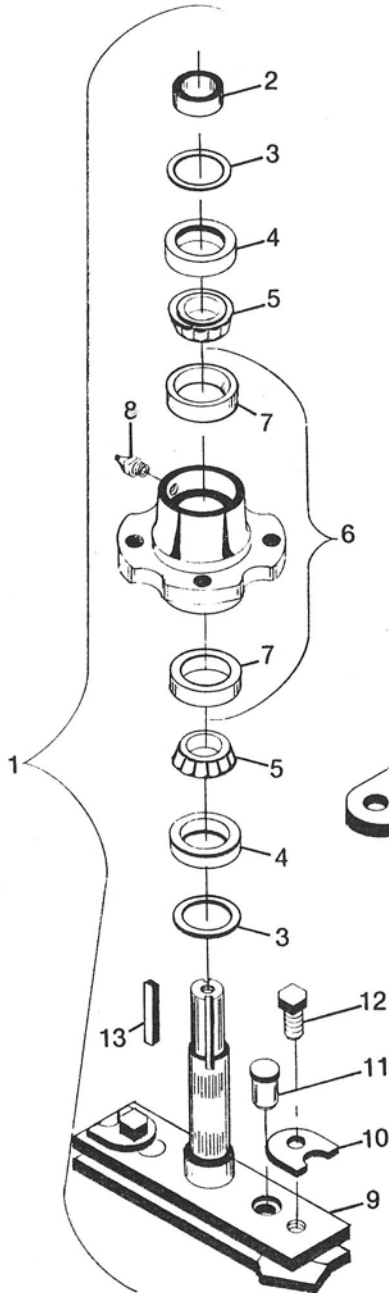




## Manual Height Adjustment

REF	PART	QTY	DESCRIPTION	REF	PART	QTY	DESCRIPTION
1	-----	-	Chain (see chart for chain used on your mounting)	26	18336	2	Caplug, 1-1/16 - 121D SAE thread
2	4155	2-3	1/4 Cold shut repair link	30	2457	*	1/4 NC x 3/4 HHCS GR5
3	10693	1	Manual height adjustment lever assembly	31	6128	*	1/4 NC Lock nut
4	484	1-2	5/8 x 1 x 7/16 HT Sleeve	32	12735	*	1/2 NC x 1-3/4 Carriage bolt GR5 <b>-or-</b>
5	10706	1	3-3/8 Long compression spring	32	10284	*	1/2 NC x 2 Carriage bolt
6	10701	1	Manual height adjustment clip	33	3489	*	1/2 NC x 3 HHCS GR5
7	3597	* 1	1/8 x 1 Cotter pin	34	855	*	1/2 Lock washer ZP
8	10699	1	Manual height adjustment rod	35	1093	*	1/2 NC Hex nut GR5, plated
9	10702	1	Manual lift sector assembly	36	3598	*	1/2 SAE Flat washer
10	9045	1	IHC Manual lift attachment plate (includes hardware & spacer)	37	6268	*	5/8 NC x 1-1/4 HHCS
11	10708	1	IHC Manual height adjustment spacer (used on IHC "B" & "C")	38	12274	*	5/8 NC x 2-1/4 HHCS GR5
12	10707	1	8-1/8 Long extension spring (used on 42's & 59's) <b>-or-</b>	39	11854	*	5/8 NC x 2-1/2 HHCS GR8
12	13006	1	13-1/4 Long extension spring (used on L306's)	40	986	*	5/8 x 2-3/4 HHCS GR5
13	10750	1	Allis Chalmers "B" & "C" lift mounting frame assembly	41	1286	*	5/8 Heavy lock washer
14	409	1	1/2 x 2 Clevis pin	42	230	*	5/8 NC Hex nut, plated
15	1256	* 1	3/16 x 1 Cotter pin	43	692	*	5/8 Flat washer, ZP
16	10735	1	Lift attachment assembly	45	24576	*	1/2 NC x 1-3/4 HHCS GR5
17	9046	1	Case VAC manual lift mounting	46	7832	*	5/8 NC x 1-1/2 HHCS GR5
18	-----	1	Case VC lift mounting lug (no longer available)	47	4616		3/4 NC x 1-1/2 HHCS GR5
19	-----	1	Case VC manual lift bracket (no longer available)	48	2522	*	3/4 Lock washer
20	-----	1	Case VC manual lift weldment (no longer available)	49	1257	*	3/4 Flat washer
21	11445	1	Manual lift radius bracket	50	902	*	5/8 NC x 2 HHCS GR5
22	11446	1	Manual lift bar	51	1450	*	3/4 NC Hex nut, plated
23	11489	1	John Deere "B" offset manual lift brace	52	3231	*	3/8 NC x 2 HHCS GR5
25	17410	1	IH Cub manual lift mounting plate	53	565	*	3/8 Flat washer
				54	838	*	3/8 Lock washer
				55	835	*	3/8 NC Hex nut, plated
				56	25728		5/8 x 2 x 1/2 Flat washer (for IH "B" only)
						*	Obtain locally

## SPINDLE ASSEMBLY



REF	PART	QTY	DESCRIPTION
1	18355	1	CW Blade spindle
2	18359	1	1-3/8 x 1-3/4 x 5/8 Sleeve
3	2718	2	1-3/4 x 2-3/8 x 13 GA Flat washer
4	2715	2	Seal for 1-3/4 shaft
5	2717	2	Bearing cone
6	18361	1	Spindle housing with cups
7	2716	2	Bearing cup
8	195 *	1	Straight 1/8 pipe thread grease fitting
9	18356	1	Spindle shaft and crossbar
10	25869	2	Blade pin retainer washer
11	3967	2	QD Blade pin
12	13288	2	1/2 NC x 3/4 Nylok HHCS
13	3912	2	1/4 x 3/8 x 2 Key
14	3975KT	1	Standard suction CW blade (replace in pairs)

\* Standard hardware, obtain locally

# BOLT TORQUE CHART

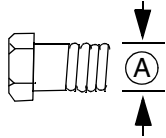
Always tighten hardware to these values unless a different torque value or tightening procedure is listed for a specific application.

Fasteners must always be replaced with the same grade as specified in the manual parts list.

Always use the proper tool for tightening hardware: SAE for SAE hardware and Metric for metric hardware.

Make sure fastener threads are clean and you start thread engagement properly.

All torque values are given to specifications used on hardware defined by SAE J1701 MAR 99 & J1701M JUL 96.



## SAE SERIES TORQUE CHART



SAE Grade 2  
(No Dashes)

SAE Bolt Head Identification

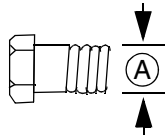


SAE Grade 5  
(3 Radial Dashes)



SAE Grade 8  
(6 Radial Dashes)

Ⓐ Diameter (Inches)	Wrench Size	MARKING ON HEAD					
		SAE 2		SAE 5		SAE 8	
		lbs-ft	N-m	lbs-ft	N-m	lbs-ft	N-m
1/4"	7/16"	6	8	10	13	14	18
5/16"	1/2"	12	17	19	26	27	37
3/8"	9/16"	23	31	35	47	49	67
7/16"	5/8"	36	48	55	75	78	106
1/2"	3/4"	55	75	85	115	120	163
9/16"	13/16"	78	106	121	164	171	232
5/8"	15/16"	110	149	170	230	240	325
3/4"	1-1/8"	192	261	297	403	420	569
7/8"	1-5/16"	306	416	474	642	669	907
1"	1-1/2"	467	634	722	979	1020	1383



## METRIC SERIES TORQUE CHART



8.8  
Metric  
Grade 8.8

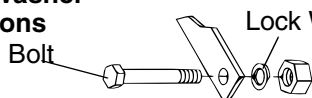
Metric Bolt Head Identification



10.9  
Metric  
Grade 10.9

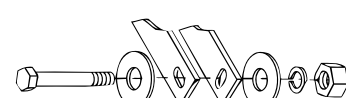
Ⓐ Diameter & Thread Pitch (Millimeters)	Wrench Size	Coarse Thread				Fine Thread				Ⓐ Diameter & Thread Pitch (Millimeters)
		Marking on Head								
		Metric 8.8		Metric 10.9		Metric 8.8		Metric 10.9		
		N-m	lbs-ft	N-m	lbs-ft	N-m	lbs-ft	N-m	lbs-ft	
6 x 1.0	10 mm	8	6	11	8	8	6	11	8	6 x 1.0
8 x 1.25	13 mm	20	15	27	20	21	16	29	22	8 x 1.0
10 x 1.5	16 mm	39	29	54	40	41	30	57	42	10 x 1.25
12 x 1.75	18 mm	68	50	94	70	75	55	103	76	12 x 1.25
14 x 2.0	21 mm	109	80	151	111	118	87	163	120	14 x 1.5
16 x 2.0	24 mm	169	125	234	173	181	133	250	184	16 x 1.5
18 x 2.5	27 mm	234	172	323	239	263	194	363	268	18 x 1.5
20 x 2.5	30 mm	330	244	457	337	367	270	507	374	20 x 1.5
22 x 2.5	34 mm	451	332	623	460	495	365	684	505	22 x 1.5
24 x 3.0	36 mm	571	421	790	583	623	459	861	635	24 x 2.0
30 x 3.0	46 mm	1175	867	1626	1199	1258	928	1740	1283	30 x 2.0

### Typical Washer Installations



Lock Washer

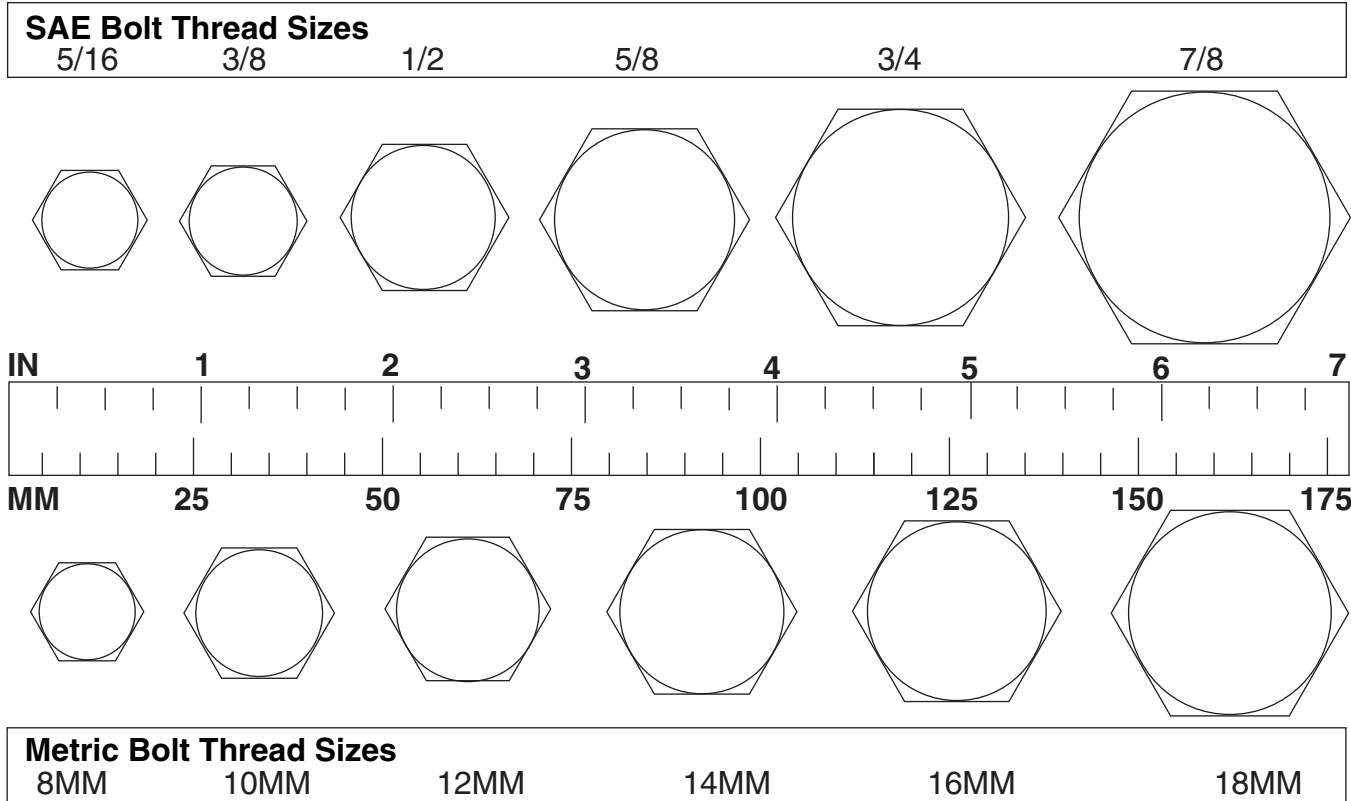
Flat Washer



8/9/00

# BOLT SIZE CHART

**NOTE:** Chart shows bolt thread sizes and corresponding head (wrench) sizes for standard SAE and metric bolts.



## ABBREVIATIONS

AG ..... Agriculture  
 ASABE ..... American Society of Agricultural & Biological Engineers (formerly ASAE)  
 ASAE..... American Society of Agricultural Engineers  
 ATF.....Automatic Transmission Fluid  
 BSPP..... British Standard Pipe Parallel  
 BSPTM..... British Standard Pipe Tapered Male  
 CV ..... Constant Velocity  
 CCW..... Counter-Clockwise  
 CW ..... Clockwise  
 F ..... Female  
 FT..... Full Thread  
 GA ..... Gauge  
 GR (5, etc.)..... Grade (5, etc.)  
 HHCS ..... Hex Head Cap Screw  
 HT ..... Heat-Treated  
 JIC..... Joint Industry Council 37° Degree Flare  
 LH..... Left Hand  
 LT ..... Left  
 m ..... Meter  
 mm ..... Millimeter  
 M ..... Male

MPa ..... Mega Pascal  
 N ..... Newton  
 NC..... National Coarse  
 NF ..... National Fine  
 NPSM ..... National Pipe Straight Mechanical  
 NPT.....National Pipe Tapered  
 NPT SWF..... National Pipe Tapered Swivel Female  
 ORBM ..... O-Ring Boss - Male  
 P ..... Pitch  
 PBY.....Power-Beyond  
 psi ..... Pounds per Square Inch  
 PTO.....Power Take Off  
 QD ..... Quick Disconnect  
 RH..... Right Hand  
 ROPS..... Roll-Over Protective Structure  
 RPM.....Revolutions Per Minute  
 RT ..... Right  
 SAE..... Society of Automotive Engineers  
 UNC ..... Unified Coarse  
 UNF ..... Unified Fine  
 UNS ..... Unified Special

# WARRANTY

(All Models Except Mow'n Machine™ Zero-Turn Mowers and Woods Boundary™ Utility Vehicles)

Please Enter Information Below and Save for Future Reference.

Date Purchased: \_\_\_\_\_ From (Dealer): \_\_\_\_\_  
 Model Number: \_\_\_\_\_ Serial Number: \_\_\_\_\_

Woods Equipment Company ("WOODS") warrants this product to be free from defect in material and workmanship. Except as otherwise set forth below, the duration of this Warranty shall be for TWELVE (12) MONTHS COMMENCING ON THE DATE OF DELIVERY OF THE PRODUCT TO THE ORIGINAL PURCHASER.

Woods backhoe models BH70-X, BH80-X, and BH90-X are warranted for two (2) years from the date of delivery to the original purchaser.

The warranty periods for specific parts or conditions are listed below:

Part or Condition Warranted	Model Number	Duration (from date of delivery to the original purchaser)
Gearbox components	BW1260, BW1800	8 years
	BB48X, BB60X, BB72X, BB84X, BB600X, BB720X, BB840X, BB6000X, BB7200X, BB8400X, DS1260, DSO1260, DS1440, TS1680, BW126-2, BW180-2	6 years
	PHD25, PHD35, PHD65, PHD95, 2162, 3240, DS96, DS120, RCC42, RM550-2, RM660-2, RM990-3, PRD6000, PRD7200, PRD8400, 7144RD-2, 9180RD-2, 9204RD-2, S15CD, S20CD, S22CD, S25CD, S27CD	5 years
	RDC54, RD60, RD72	3 years (1 year if used in rental or commercial applications)
Blade spindles	RM550-2, RM660-2, RM990-3, PRD6000, PRD7200, PRD8400, 7144RD-2, 9180RD-2, 9204RD-2	3 years
Rust-through	BB600, BB720, BB840, BB6000, BB7200, BB8400, BW126-2, BW180-2, BW1260, BW1800, 2162, 3240, DS1260, DSO1260, DS1440, TS1680	10 years

Under no circumstances will this Warranty apply in the event that the product, in the good faith opinion of WOODS, has been subjected to improper operation, improper maintenance, misuse, or an accident. This Warranty does not apply in the event that the product has been materially modified or repaired by someone other than WOODS, a WOODS authorized dealer or distributor, and/or a WOODS authorized service center. This Warranty does not cover normal wear or tear, or normal maintenance items. This Warranty also does not cover repairs made with parts other than those obtainable through WOODS.

This Warranty is extended solely to the original purchaser of the product. Should the original purchaser sell or otherwise transfer this product to a third party, this Warranty does not transfer to the third party purchaser in any way. There are no third party beneficiaries of this Warranty.

WOODS makes no warranty, express or implied, with respect to engines, batteries, tires or other parts or accessories not manufactured by WOODS. Warranties for these items, if any, are provided separately by their respective manufacturers.

WOODS' obligation under this Warranty is limited to, at WOODS' option, the repair or replacement, free of charge, of the product if WOODS, in its sole discretion, deems it to be defective or in noncompliance with this Warranty. **The product must be returned to WOODS with proof of purchase within thirty (30) days after such defect or noncompliance is discovered or should have been discovered, routed through the dealer and distributor from whom the purchase was made, transportation charges prepaid.** WOODS shall complete such repair or replacement within a reasonable time after WOODS receives the product. **THERE ARE NO OTHER REMEDIES UNDER THIS WARRANTY. THE REMEDY OF REPAIR OR REPLACEMENT IS THE SOLE AND EXCLUSIVE REMEDY UNDER THIS WARRANTY.**

THERE ARE NO WARRANTIES WHICH EXTEND BEYOND THE DESCRIPTION ON THE FACE OF THIS WARRANTY. WOODS MAKES NO OTHER WARRANTY, EXPRESS OR IMPLIED, AND WOODS SPECIFICALLY DISCLAIMS ANY IMPLIED WARRANTY OF MERCHANTABILITY AND/OR ANY IMPLIED WARRANTY OF FITNESS FOR A PARTICULAR PURPOSE.

**WOODS shall not be liable for any incidental or consequential losses, damages or expenses, arising directly or indirectly from the product, whether such claim is based upon breach of contract, breach of warranty, negligence, strict liability in tort or any other legal theory.** Without limiting the generality of the foregoing, Woods specifically disclaims any damages relating to (i) lost profits, business, revenues or goodwill; (ii) loss of crops; (iii) loss because of delay in harvesting; (iv) any expense or loss incurred for labor, supplies, substitute machinery or rental; or (v) any other type of damage to property or economic loss.

This Warranty is subject to any existing conditions of supply which may directly affect WOODS' ability to obtain materials or manufacture replacement parts.

No agent, representative, dealer, distributor, serviceperson, salesperson, or employee of any company, including without limitation, WOODS, its authorized dealers, distributors, and service centers, is authorized to alter, modify, or enlarge this Warranty.

Answers to any questions regarding warranty service and locations may be obtained by contacting:

**Woods Equipment Company**  
 2606 South Illinois Route 2  
 Post Office Box 1000  
 Oregon IL 61061  
 800-319-6637 tel  
 800-399-6637 fax  
 www.WoodsEquipment.com



**ALITEC™**  
**BMP®**  
**CENTRAL FABRICATORS®**  
**GANNON®**  
**GILL®**  
**WAIN-ROY®**  
**WOODS®**



## WARRANTY

(Replacement Parts For All Models Except Mow'n Machine™  
Zero-Turn Mowers and Woods Boundary™ Utility Vehicles)

Woods Equipment Company ("WOODS") warrants this product to be free from defect in material and workmanship for a period of ninety (90) days from the date of delivery of the product to the original purchaser with the exception of V-belts, which will be free of defect in material and workmanship for a period of 12 months.

Under no circumstances will this Warranty apply in the event that the product, in the good faith opinion of WOODS, has been subjected to improper operation, improper maintenance, misuse, or an accident. This Warranty does not cover normal wear or tear, or normal maintenance items.

This Warranty is extended solely to the original purchaser of the product. Should the original purchaser sell or otherwise transfer this product to a third party, this Warranty does not transfer to the third party purchaser in any way. There are no third party beneficiaries of this Warranty.

WOODS' obligation under this Warranty is limited to, at WOODS' option, the repair or replacement, free of charge, of the product if WOODS, in its sole discretion, deems it to be defective or in noncompliance with this Warranty. **The product must be returned to WOODS with proof of purchase within thirty (30) days after such defect or noncompliance is discovered or should have been discovered, routed through the dealer and distributor from whom the purchase was made, transportation charges prepaid.** WOODS shall complete such repair or replacement within a reasonable time after WOODS receives the product. THERE ARE NO OTHER REMEDIES UNDER THIS WARRANTY. THE REMEDY OF REPAIR OR REPLACEMENT IS THE SOLE AND EXCLUSIVE REMEDY UNDER THIS WARRANTY.

THERE ARE NO WARRANTIES WHICH EXTEND BEYOND THE DESCRIPTION ON THE FACE OF THIS WARRANTY. WOODS MAKES NO OTHER WARRANTY, EXPRESS OR IMPLIED, AND WOODS SPECIFICALLY DISCLAIMS ANY IMPLIED WARRANTY OF MERCHANTABILITY AND/OR ANY IMPLIED WARRANTY OF FITNESS FOR A PARTICULAR PURPOSE.

**WOODS shall not be liable for any incidental or consequential losses, damages or expenses, arising directly or indirectly from the product, whether such claim is based upon breach of contract, breach of warranty, negligence, strict liability in tort or any other legal theory.** Without limiting the generality of the foregoing, Woods specifically disclaims any damages relating to (i) lost profits, business, revenues or goodwill; (ii) loss of crops; (iii) loss because of delay in harvesting; (iv) any expense or loss incurred for labor, supplies, substitute machinery or rental; or (v) any other type of damage to property or economic loss.

This Warranty is subject to any existing conditions of supply which may directly affect WOODS' ability to obtain materials or manufacture replacement parts.

No agent, representative, dealer, distributor, service person, salesperson, or employee of any company, including without limitation, WOODS, its authorized dealers, distributors, and service centers, is authorized to alter, modify, or enlarge this Warranty.

Answers to any questions regarding warranty service and locations may be obtained by contacting:

### Woods Equipment Company

2606 South Illinois Route 2  
Post Office Box 1000  
Oregon, Illinois 61061

800-319-6637 tel  
800-399-6637 fax  
www.WoodsEquipment.com

**ALITEC™**

**BMP®**

**CENTRAL FABRICATORS®**

**GANNON®**

**GILL®**

**WAIN-ROY®**

**WOODS®**